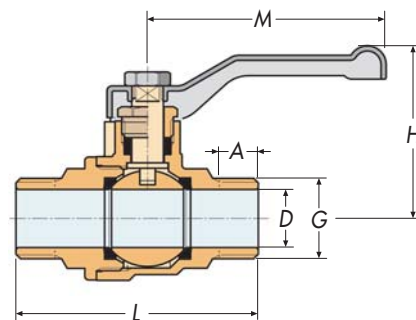


Art. 2072

**LEVER OPERATED
BALL VALVE M-M
FULL FLOW - PN40
NICKEL-PLATED BRASS**



**VALVOLA A SFERA M-M
PASSAGGIO TOTALE
CON LEVA IN OTTONE - PN40
OTTONE NICHELATO**



FILETTATURE / THREAD :
G = ISO 228/1 (BS 2779)

Weight (gr)	120	210	350	640
M	80	92	92	115
H	32	50	53	63
L	54	68	77	92
D	10	15	20	25
G	3/8"	1/2"	3/4"	1"

Art. 2080

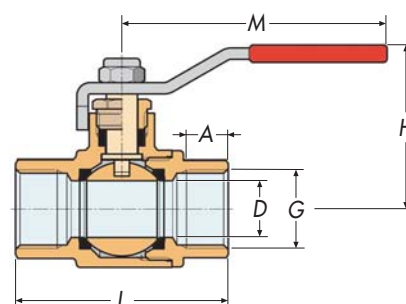
**LEVER OPERATED BALL VALVE F-F
FULL FLOW
PN32 - BRONZE**



CONFORME ALLA NORMA
COMPLIANT WITH
UNI EN ISO 9093-1

**VALVOLA A SFERA F-F
PASSAGGIO TOTALE A LEVA
PN32 - BRONZO**

Art. 2081 VERSIONE CON LEVA IN ACCIAIO INOX
VERSION WITH LEVER IN STAINLESS STEEL



FILETTATURE / THREAD :
G = ISO 7/1 (BS 21)

PN	32	32	32	32	32	32	32	32	25	25	25
Weight (gr)	210	185	270	380	625	985	1300	2480	3670	6540	10000
M	85	85	85	104	104	122	122	153	200	280	280
H	45	45	45	55	57	75	80	98	120	144	165
L	51	51	62	70	85	99	110	134	142	178	210
D	12	12	15	19	25	32	40	50	60	76	95
A	10	12	15	16.3	19.1	21.4	21.4	25.7	26	30	31
G	1/4"	3/8"	1/2"	3/4"	1"	1 1/4"	1 1/2"	2"	2 1/2"	3"	4"

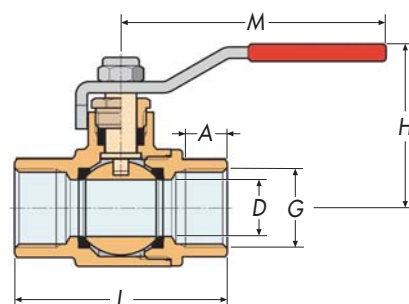
Art. 2090

**LEVER OPERATED BALL VALVE F-F
FULL FLOW
PN32 - DZR BRASS**



CONFORME ALLA NORMA
COMPLIANT WITH
UNI EN ISO 9093-1

**VALVOLA A SFERA F-F
PASSAGGIO TOTALE A LEVA
PN32 - OTTONE DZR**



FILETTATURE / THREAD :
G = ISO 7/1 (BS 21)

PN	40	40	40	30	30	30
Weight (gr)	220	320	525	930	1380	2500
M	85	104	104	122	122	153
H	45	55	57	75	80	98
L	62	70	85	99	110	134
D	15	19	25	32	40	50
A	16	17	21	23	24	28
G	1/2"	3/4"	1"	1 1/4"	1 1/2"	2"